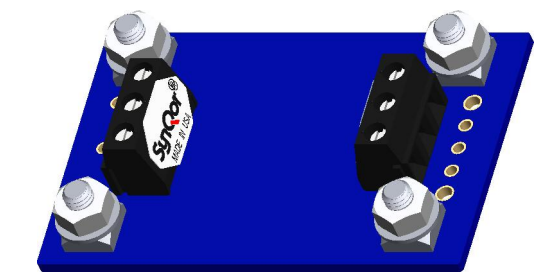
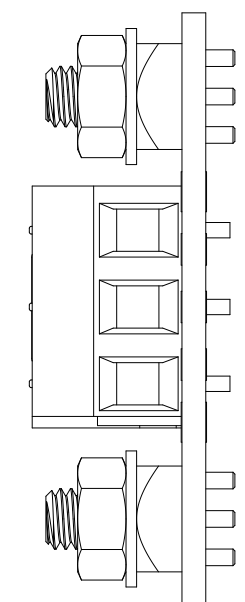
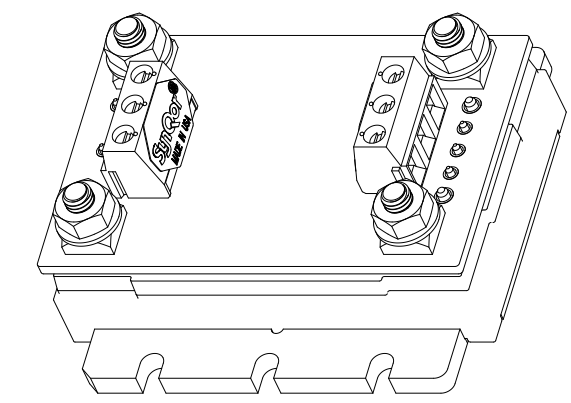


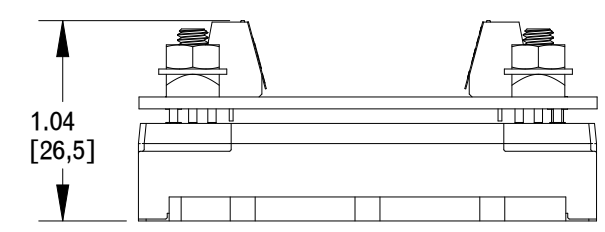
REVISIONS			
REV	DESCRIPTION	DATE	APPROVED
1	INITIAL RELEASE PER ECO 17-22036	01/13/17	DS
2	ADDED NOTE 7: "ROHS COMPLIANT" PER ECO 19-26063	12/16/19	B.KELLY
A	RELEASE TO PRODUCTION PER ECO 18-23846	10/06/20	K.DUBROWN



SCALE 1.000



SCALE 1.000



SCALE 1.000

- NOTES:**
- CONSULT DATASHEET OF THE UNIT THAT THE INTERFACE BOARD IS / WILL BE MOUNTED TO FOR I/O DEFINITIONS, MOUNTING DIMENSIONS AND OPERATING PARAMETERS.
 - ALL DIMENSIONS IN INCHES (MM)
TOLERANCES: X.XX ± .02 IN. (X.X ± .5mm)
X.XXX ± .010 IN. (X.XX ± .25mm)
 - TERMINALS 1, 3, 4, 8: M4 SCREW POST, MAX TORQUE 6 IN-LB (.7 Nm).
 - TERMINAL BLOCKS: WIRE SIZE 16-30 AWG, 13.5A MAX CURRENT PER TERMINAL, MAX TORQUE 4 IN-LB (.5 Nm)
 - FITS BOTH NORMAL AND FLANGED QUARTER BRICKS
 - ADAPTOR WEIGHT: 1.02 oz (29 g)
 - ROHS COMPLIANT

TOLERANCES: Unless otherwise specified: All dimensions in inches .X +/- .025 .XX +/- .010 .XXX +/- .005 Angles +/- 1°				155 Swanson Road Boxborough, MA 01719-1316	
	QBI-03 PFC INTERFACE ASSY. THROUGH HOLE MOUNTING				
SOURCE: PRO/E 020-0000318					
THIS DRAWING IS THE PROPERTY OF SYNQOR LLC. It is not to be reproduced or copied, in whole or in part, or used for furnishing information to others, or for any purpose detrimental to the interests of SynQor. The information shown herein may be protected by patents owned or controlled by SynQor.	SIZE B	DATE OCT-06-20	DWG. NO. 020-0000318	REV A	
SCALE: 2.000		DRAWN: KJD		CHECK:	SHEET 1 of 1